

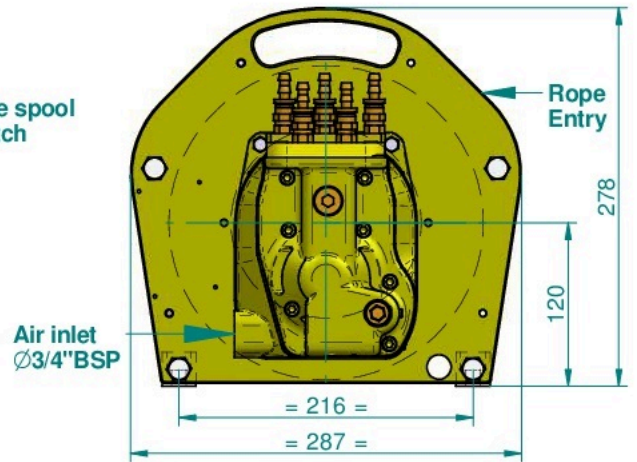
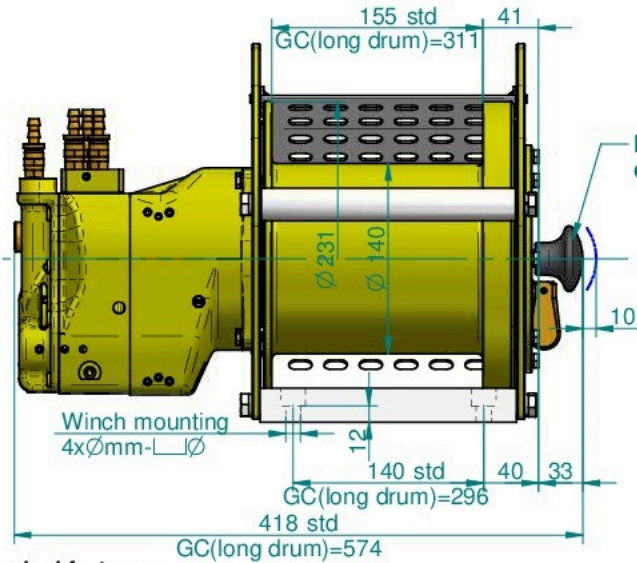
PULLSTAR AIR WINCH SERIES

Models: PS2-1000R-PH-E
PS2-1000RGC-PH-E

Pulling capacity: 1000Kg

IREP Drawing Number	Rev.
09/02/14-L644	B
Customer Drawing Number	
1/1	
Engineering Mgr. approval:	

Copyright © 2016 Ingersoll-Rand Company
All Rights reserved.

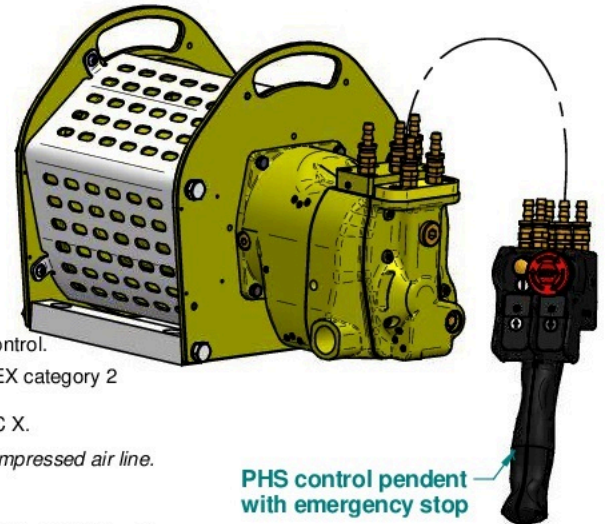


Standard features:

- Light weight and compact design . Easy to carry.
- Robust steel construction.
- Main air emergency stop.
- Automatic fail safe disc brake (no adjustment required).
- Manual disengaging clutch.
- Reliable gear type air motor in composite material.
- High efficiency planetary gear box.
- Drum guard.
- Flameproof by nature.
- Low noise level, quiet operation.
- Individually load test before shipment.
- Variable speed and precise positioning though PHS progressive remote pilot control.

Nota : In their standard design, Pullstar winches are classified as equipment ATEX category 2 for applications in zone 2 of group II. (Surface industry, as per ATEX 94/9/CE directive) Marking Ex II 3 GD c IIB135°C X.

**It is strongly recommended to use a lubricating and a filtration system on the compressed air line. The compressed air temperature must not exceed 65°C at the motor air inlet. For higher temperature, please consult us.*



PHS control pendant with emergency stop

Options:

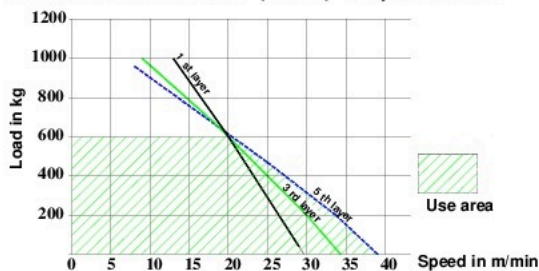
- Marine and offshore paint including sandblasting.
- Lifting version (Liftstar series).
- ATEX Zone 1 Compliance

Technical data (at 6.3bar)*:

Model	PS2-1000R	PS2-1000RGC
Rated capacity (Kg)	1000 (at first layer)	
Rated capacity (Kg)	800 (at top layer)	
Pulling speed at rated load (m/min)	12 (at first layer)	
Air consumption at rated load (m ³ /min)	4	
Working pressure range (Bar)	4 to 7*	
Full drum capacity - rope Ø6,5 (m)	89	183
Weight without rope (kg)	40	46

*: A working pressure lower than 6,3Bar will result in reduced performances.

Performances at 6.3 bar (90PSI) - Rope Ø6.5mm



Performances at 4 bar (60PSI) - Rope Ø6.5mm



Cumulated rope capacity (m) / number of layers

Layers nbr:	1	2	3	4	5	6	7
STANDARD MODEL (short drum)							
Rope dia 6.5mm	9	20	32	45	58	73	89
Rope dia 8mm	7	16	26	37	49		
GC MODEL (long drum)							
Rope dia 6.5mm	19	42	66	93	121	151	183
Rope dia 8mm	16	34	55	77	102		

The equipment described on this sheet is subject to the general sales and warranty conditions of Ingersoll-Rand company. Because of the constant evolution of technology, Ingersoll-Rand company reserves the right to modify without notice the specifications contained in this document.